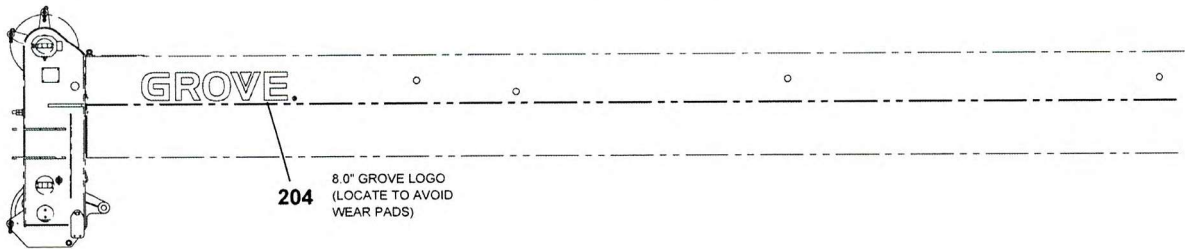
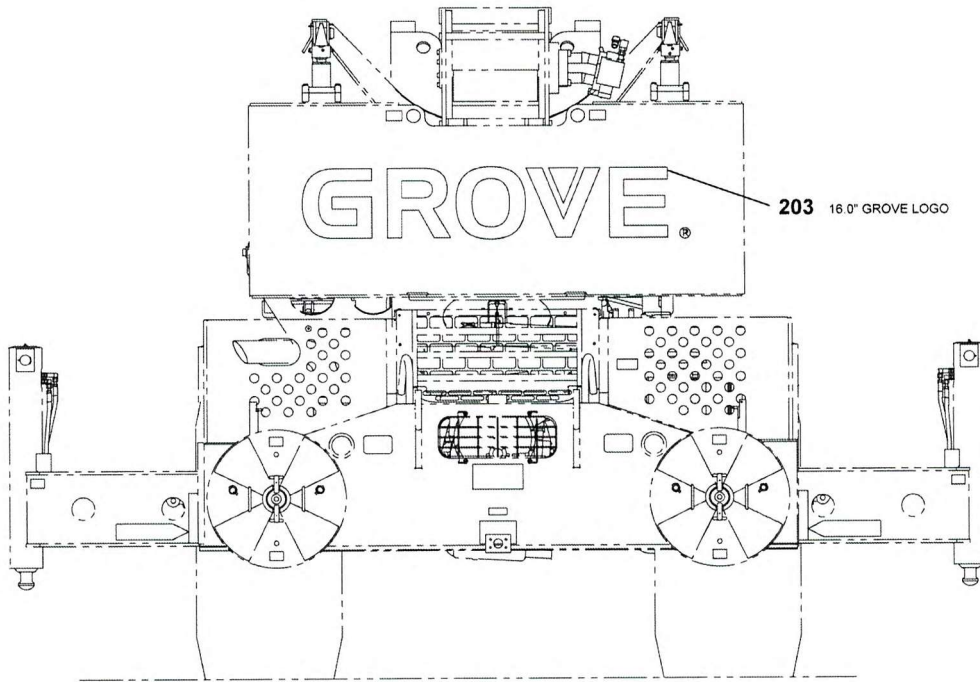
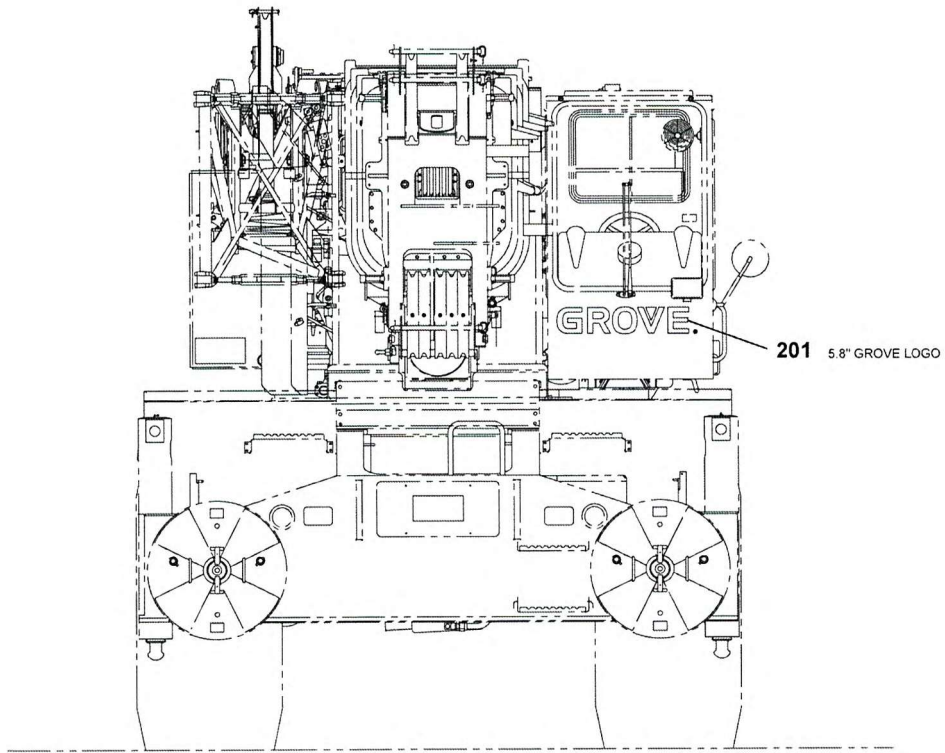


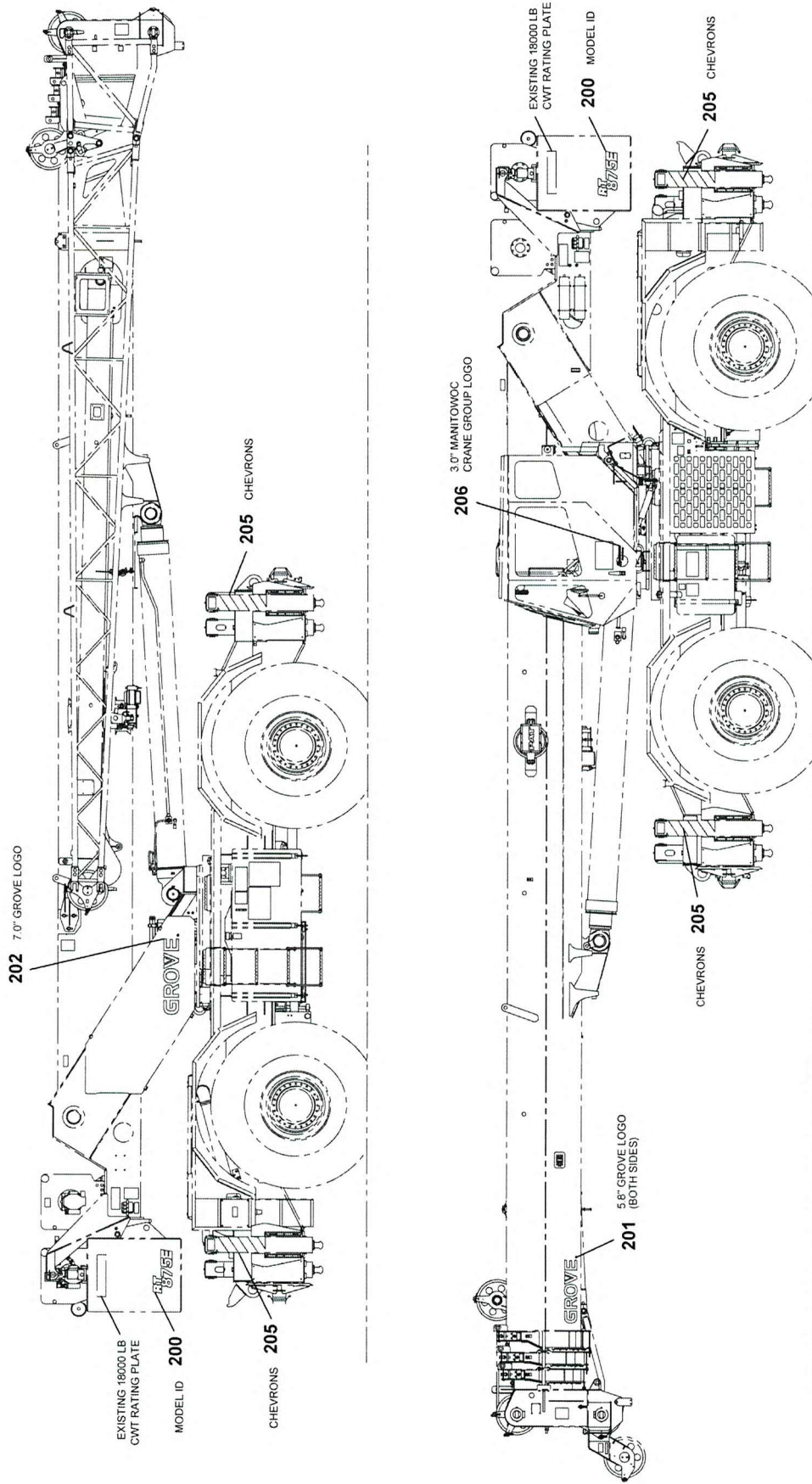
# Manitowoc Crane Group



6376206392

(SHEET 2 OF 2)

# Manitowoc Crane Group



6376206392

(SHEET 1 OF 2)

Page 432